



# Fiddler's Rag

Vol. 45, Number 3  
Celebrating 44 years

Santa Clara Valley Fiddlers Association  
[www.scvfa.org](http://www.scvfa.org) or [www.fiddlers.org](http://www.fiddlers.org)

March 2017  
Next Jam: Mar. 5

## President's Note



*Music produces a kind of pleasure which human nature cannot do without.*

- Confucius

Music is both emotional and driven by emotion and has a powerful effect on us and our well-being. It can instill happiness, sadness, enthusiasm, and contentment. Music is known to increase creativity, productivity, and confidence and does an incredible job reducing stress. Put your heart and soul into your music and reap countless benefits in return.

The SCVFA jam in February was rocking with energy. Music and a few extra layers of clothing kept folks warm and happy. It was the General Member's Meeting and election. Both Pete Showman and Élan Alford were voted in as trustees for another 3-year term. This means that all of the SCVFA trustees will remain the same for 2017. I thank each one of you for your time, effort, and dedication to SCVFA. In turn, the board has voted for me to continue as president for another year. I will do my best to encourage participation and growth in our organization.

The chill in the air brought the Tune Builder Circle into the kitchen, with Sarah Kirton instructing in the packed quarters. *Hinke Hornland's Polska* and the *Pig Squeal Schottische* were learnt and then played on stage. What a delight!

Wes Mitchell will lead the Tune Builder Circle in March. Get ready to learn some good old-time tunes as they are meant to be learned... by ear.

At SCVFA, we have placed a priority on Children's programming. **Gary Breitbard**, local musician and performer, will lead the **KidFiddle** workshop from 2-3 pm. Unfortunately for the "big" kids who love Gary's instructional techniques and fun tunes, this workshop is limited to those ages 17 and under.

KidFiddle will also be happening in April. Erik Hoffman, from Oakland, CA will return to share music with our youth.

Playing music makes people happy. Take the opportunity in March to play for the **Open Mic** and share the music you love with our community.

**Our next SCVFA jam will be on March 5<sup>th</sup>, 2017.**

Many thanks to Pete Showman for managing the jam, to Topher Heath for leading the slow jam, and to Dinah, Charlotte and other membership desk helpers. As always, thanks to everyone who contributes in any large or small way.

It takes a village to keep SCVFA running smoothly. Let us all do our part.

*Susan Goodis*

Welcome to these new SCVFA members:

- ❖ Sherry Flumerfelt and Ben Luttrell
- ❖ Bill Frantz
- ❖ David and Monika Cartright

**March 5<sup>th</sup> KidFiddle with Gary Breitbard (See p.2)**

Show your pride in SCVFA, get your wearable in one of two designs. Email [sgoodis \[at\] gmail](mailto:sgoodis@scvfa.org) for information.



## In This Issue:

## Page

President's Message.....	1
Notice: KidFiddle with Gary Breitbard .....	2
SCVFA Happenings .....	3
February Jam photos .....	4,5
Facebook Posts .....	6
Walker Creek Music Camp .....	6
Tune: "Out on the Ocean" .....	7
Tune: "The Rose in the Heather" .....	7

The Fiddler's Rag is published monthly by the Santa Clara Valley Fiddlers Association and is provided to members of the Association. The Santa Clara Valley Fiddlers Association (SCVFA), founded in 1973 in San Jose, California, is a nonprofit, volunteer-operated organization dedicated to the preservation, teaching, and enjoyment of traditional music. The first membership in a household includes the Fiddler's Rag; additional members sharing the newsletter are steeply discounted. To join, sign up at the jam or see [www.fiddlers.org/join](http://www.fiddlers.org/join).

**Officers and Chairs**

President-Trustee .....	Susan Goodis	Newsletter Publisher ..	Charlotte Prater
Vice President .....	Élan Alford	Performances Contact ..	Dave Williams
Recording Secretary ....	Anne Raphael	Publicity .....	OPEN
Treasurer .....	Dinah Showman	Webmaster .....	Pete Showman
Membership Secretary	Pete Showman	Youth Programs Chair .....	OPEN
News Editor .....	Patrice Tanti		

**Trustees**

Seat 1: Pete Showman	Seat 3: Bert Raphael	Seat 5: Dave Williams
Seat 2: Élan Alford	Seat 4: Wes Mitchell	Seat 6: Cindy Dinga

**To Contact the SCVFA:**

Mail: P.O. Box 2666, Cupertino, CA 95015-2666  
 Email to Susan Goodis: president [at] fiddlers.org  
**Newsletter Submissions & Comments:** newsletter [at] fiddlers.org  
**Address changes:** membership [at] fiddlers.org  
 Website: [www.scvfa.org](http://www.scvfa.org) or [www.fiddlers.org](http://www.fiddlers.org)  
 Copyright 2017, Santa Clara Valley Fiddlers Association

**KidFiddle Workshop**  
**Hoover Middle School**  
**Sunday March 5th, 2017**  
 With Fiddle Instructor and Performer  
**Gary Breitbart**



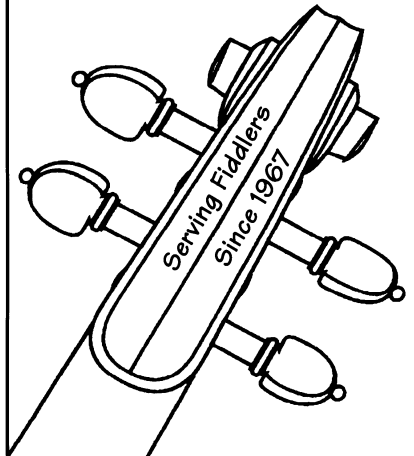
**KidFiddle Workshop 2-3 pm**  
**Participants perform at about 3:15**  
 Open Mic as usual, except during  
 the participants' performance

**Jam Admission:** \$6.00 members \$8.00 non-members  
 Youths 17 & under Free  
**Workshop tuition \$5.00**

**Sign up at:** [KidFiddle/at/fiddlers.org](http://KidFiddle/at/fiddlers.org)  
 Advance registration appreciated.  
**More details:** [www.fiddlers.org](http://www.fiddlers.org)  
**Or email Susan Goodis** [president/at/fiddlers.org](mailto:president/at/fiddlers.org)

**KAMIMOTO**  
**STRING INSTRUMENTS**

**“Fiddles  
 for  
 Every Style...”**



- New & Old Instruments
- Repairs & Restorations
- One-hour bow rehairing (by appt.)
- Rentals: Violin, Viola, Cello, Bass

Hours: Mon-Sat 10:00 - 5:30

**[408] 298-8168**  
[www.kamimotostrings.com](http://www.kamimotostrings.com)

609 North Fourth Street  
 San Jose, CA 95112

**[800] 892-3199**

**Fax: [408] 298-8198**

# SCVFA Happenings

## SCVFA Slow Jam Active song list

Angeline the Baker (D)	Red-Haired Boy (A)
Arkansas Traveler (D)	Red Wing (G)
Girl I Left Behind Me (G)	Soldier's Joy (D)
Jaybird (D)	Squirrel Hunters (A)
June Apple (A)	St. Anne's Reel (D)
Liberty (D)	Swallowtail Jig (E)
Mississippi Sawyer (D)	Whiskey Before Breakfast (D)
Over the Waterfall (D)	Wildwood Flower (C)

## March Events

- 3/5 Music Jam and Open Mike at Hoover School, plus a KidFiddle workshop with Gary Breitbart
- 3/10 Silicon Valley House Concerts presents "Evie Ladin Band w/ Keith Terry & Erik Pearson" (neo-trad'l kinetic trio house)
- 3/10 Sonora Celtic Fair runs March 10-12
- 3/16 Santa Clara House Concerts presents "Genticorum" (Quebecois trio)
- 3/18 Redwood Bluegrass Associates presents "John Reischman & the Jaybirds" (5-member bluegrass band)
- 3/18 Sunnyvale Evening of Cultural Arts presents "The Black Brothers" (Irish, English, Scottish trad'l)

## SCVFA KidFiddle at Hoover School

- 3/5 KidFiddle workshop with **Gary Breitbart**
- 4/2 KidFiddle workshop with **Erik Hoffman**

## Evie Ladin Band

w/ Keith Terry & Erik Pearson  
Presented by Silicon Valley House Concerts  
Mar 10<sup>th</sup> at 8:00pm  
Reservations: SV.houseconcerts [at] gmail.com

## February Special Board Meeting

Following the association meeting, the board met and agreed to reappoint the current Officers and activity Chairs. Susan Goodis continues as President, with Élan Alford as Vice President and the other Officers and Chairs as listed on page 2

## March Board Meeting

The next board meeting will be Tuesday March 28th. Members are encouraged to attend. Please contact any board member for specifics

## February Membership Meeting

The Santa Clara Valley Fiddlers Association held its annual meeting at the February 5 jam, with a quorum of well over 19 members.

President Susan Goodis introduced two trustees who had agreed to continue on the board if reelected, Élan Alford and Pete Showman. Both were reelected unanimously.

Susan told us that SCVFA was started in March of 1973 by Bill Wein, and it's still going strong. We play more than just bluegrass and old time music - whatever members want to try, including gospel and Scandinavian and Irish and many other styles of music. We also do playouts at numerous locations, arranged through Dave Williams.

Susan named the current trustees and many of the regular volunteers, including Dinah Showman, treasurer; Patrice Tanti, Rag editor; Anne Raphael, secretary; and Charlotte Prater, who handles jam admission, sets up the refreshment table, mails out the Rag, and does so many jobs that no one title is enough! This Association is blessed with regular volunteers like Topher Heath, who leads the monthly slow jam, and many others who lead Tune Builder workshops and KidFiddle workshops (three more Kid programs are planned this coming spring!) We're also thankful for the many folks who help with transporting and setting up all the sound equipment and signs. More volunteers are always welcome, and we still need more members, so please tell your musician friends about the SCVFA!

We have a new Facebook page, and our web site ([www.fiddlers.org](http://www.fiddlers.org)) has lots of information and photos. We're hoping to get out an electronic version of the Fiddler's Rag by this summer, so folks can enjoy color photos.

We're also planning more mini workshops, like the recent well-attended one by Harry Liedstrand and his band. It should be an exciting year for all of us!

If any SCVFA members would like to volunteer to become trustees, to work on or chair Publicity or Youth Programs, or help in any way, please talk to any of the officers or trustees any time!

*Anne Raphael, Secretary*



## February 2017 Jam Photos



Chris Cochran and Bert Raphael  
(Photo: Susan Goodis)



Sam Morocco, Tom Clausen, Arthur Kee on stage  
(Photo: Pete Showman)



Topher Heath leading the Slow Jam  
(Photo: Pete Showman)



George Bradshaw, Paul Barnett, June Nishimoto  
(Photo: Pete Showman)



Sarah Kirton leading the Tune Builder participants on stage  
(Photo: Susan Goodis)



## February 2017 Jam Photos (cont'd)



Tony Becker  
(Photo: Pete Showman)



(Photo: Susan Goodis)



Caroline Gerbarino, Mike Bell, David, Robin Fish, Dovie Wylie and Clark Akatiff  
(Photo: Pete Showman)



Alan Rich sporting his one-of-a-kind SCVFA ball cap. Looks great! (Photo: Susan Goodis)



Bluegrass jam (Photo: Pete Showman)



The bluegrass jam moved onto the open-mic stage  
(Photo: Susan Goodis)



## Facebook Posts

**Susan Goodis** created an event for Santa Clara Valley Fiddlers Association SCVFA  
February 13 at 3:24pm · 🌐

KidFiddle Workshop - March 5th - SCVFA



**MAR 5** KidFiddle Workshop - March 5th - SC...  
Sun 2 PM · San Jose  
Susan Goodis invited you

★ Interested

You and 3 others

Like Comment Share

**Élan Alford** ▸ Santa Clara Valley Fiddlers Association SCVFA  
January 22 at 2:44pm · 🌐

A version of Road to Malvern (A). I sat in a circle and heard folks playing this at the Central Rocky Mountain Old-Time Association (CROMA) campout a few years ago.



You, Patti Bossert, Susan Goodis and 15 others

9 Comments

Like Comment Share

## Walker Creek Music Camp



Spring Camp date: April 7-10, 2017 (Friday to Monday).

There is a chatter of excitement on line among SCVFA members. See below examples pulled from emails here and there:

*“...we signed up for Greg Canote's oldtime fiddle class.”*

*“...we signed up to be room-mates in the Economy cabin. The economy cabins hold 5-12 campers...”*

*“... signed up for Greg's class, and String Band. We will have a private room in a cabin. We'd be happy to take a couple of car-pool riders...”*

*“...signed up for Greg Canote's class and will tent.”*

Registration is open, classes and lodging are filling fast. Call or email:

(415) 663-6030

info [at] walkercreekmusiccamp.org

Key: D Major

♩ = 100

## Out on the Ocean

Traditional Irish jig

This is how I learned it, with B1 and B2 somewhat different; it's essentially the same as the arrangements in Susan Songer's *The Portland Collection* (vol. 1) and Gene Silberberg's *Tunes I Learned at the Tractor Tavern*. Typeset into ABC Plus by Pete Showman; rev. 1: 1/2/2017.

(To repeat tune)

Key: D Major

♩ = 100

## The Rose in the Heather

Traditional Irish jig

Typeset in ABC Plus by Pete Showman, based on an arrangement taught by Cindy Dinga at the SCVFA jam January 1, 2017. Rev 1: 1/2/2017

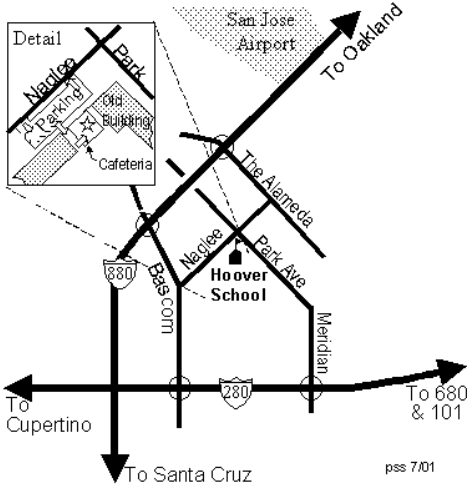
Santa Clara Valley Fiddlers Association  
P.O. Box 2666  
Cupertino, CA 95015-2666



SCVFA Jam on the first Sunday of each month.  
Location: Hoover Middle School, 1635 Park Ave.,  
San Jose. The school is at the corner of Naglee and  
Park. Cafeteria parking is on the Naglee side.

**Next Jam and KidFiddle  
Workshop: Sunday Mar. 5<sup>th</sup>,  
1-5 pm at Hoover.**

**Damaged or Missing Issue? Call us,  
or email to: [newsletter \[at\] scvfa.org](mailto:newsletter@scvfa.org)**



Élan Alford and Dinah Showman staff the admission and membership desk  
(Photo: Pete Showman)