



Fiddler's Rag



Vol. 48, Number 8
Celebrating 47 years

Santa Clara Valley Fiddlers Association
www.fiddlers.org

August 2020
Next Jam: see p.3



President's Note

Your understanding and patience are greatly appreciated as we all navigate these challenging circumstances. This is unknown territory and it is important to keep our members safe, informed and connected.

I am organizing an old time jam with a **Slow Jam for the first hour** in a local park during our regularly scheduled SCVFA monthly jam time on Sunday

August 2nd from **1:00 - 4:00**. I will also broadcast this jam on Zoom for those who are unable to join us in person for any reason. Please **email me** at *president [at] fiddlers.org* for the required advance sign up. We will be strictly enforcing Santa Clara social distancing rules, including limiting the attendance to 20 people. The location will only be shared with the first 20 people who sign up. I will provide chairs, spaced 6' apart and provide Clorox clean up wipes so people may clean their chairs. Bring your own chair if needed for your comfort.

The decision has been made to refrain from any SCVFA sponsored jams because the Santa Clara County restrictions are rather complex and present an enforcement challenge. Instead, we are suggesting members reach out to others to hold their own smaller jams where county requirements can be easily followed. If scheduling assistance is needed, please provide the information for your self-organized jam to me by Wednesday, July 30th which I will list in the electronic announcements.

Instrumental music is allowed by the county if the musicians maintain at least 6-foot social distancing, and do not play any instruments by mouth or sing. Everyone must wear a mask which covers both the mouth and nose. Any snacks must be individually wrapped. Bring your own drinks. Anyone in a high-risk group is discouraged from attending. If you are sick, stay home and Do NOT attend.

Together, our board has decided to extend every current membership by an additional nine months beyond their current due date. This is an additional 9 months on top of the previously announced 3-month extension which started on April 1st.

With this extension, members will continue to receive these perks:

- ♪ Fiddler's Rag monthly newsletter
- ♪ Virtual Jams on Zoom
- ♪ Links to other virtual jams which are listed on the SCVFA Facebook Page

SCVFA continues to have modest expenses. Donations in lieu of membership would be greatly appreciated and can now be easily made with PayPal to *treasurer [at] fiddlers.org*

I wish you and your family good health. Thanks for your SCVFA membership and support of traditional music.

--Susan *President [at] fiddlers.org*

Socially distant and handsome SCVFA musicians



In This Issue:

Page

President's Message	1
SCVFA Happenings	3
July and Earlier Event Photos	4
Short Story (Part 1 of 2): "The Phantom Fiddler" by Stephanie Waters	5
Column: "Hicks' Licks" by Pete Hicks	6-7
Coronavirus-adjusted SCVFA Resolutions	8

The Fiddler's Rag is published monthly by the Santa Clara Valley Fiddlers Association and is provided to members of the Association. The Santa Clara Valley Fiddlers Association (SCVFA), founded in 1973 in San Jose, California, is a nonprofit, volunteer-operated organization dedicated to the preservation, teaching, and enjoyment of traditional music. The first membership in a household includes the Fiddler's Rag; additional members sharing the newsletter are steeply discounted. To join, sign up at the jam or see www.fiddlers.org/join.

Officers and Chairs

President-Trustee	Susan Goodis	News Editor	Patrice Tanti
Vice President	Dave Thomas	Newsletter Publisher	Doug Judd
Recording Secretary .	Jessica Ollmann	Performances Contact	Susan Goodis
Treasurer	Dinah Showman	Publicity	Dave Thomas
Membership Secretary	Pete Showman	Webmaster	Pete Showman

Trustees

Seat 1: Bev Tracey	Seat 3: Sam Schillace	Seat 5: Peter Forrest
Seat 2: Doug Judd	Seat 4: Dave Thomas	Seat 6: Cindy Dinga

To Contact the SCVFA:

Mail: P.O. Box 2666, Cupertino, CA 95015-2666
 Email to Susan Goodis: [president \[at\] fiddlers.org](mailto:president[at]fiddlers.org)

Newsletter Submissions & Comments: [newsletter \[at\] fiddlers.org](mailto:newsletter[at]fiddlers.org)

Address changes: [membership \[at\] fiddlers.org](mailto:membership[at]fiddlers.org)

Website: www.fiddlers.org

Copyright 2019, Santa Clara Valley Fiddlers Association

The Santa Clara Valley Fiddlers Association is a non-profit member-supported organization.

Donations to SCVFA are greatly appreciated and will assist in keeping traditional music alive by passing it on to the next generation.

Many local corporations offer matched donations for non-profits. Check with your employer... they may offer this benefit.

You can easily add SCVFA as a 501(c)(3) organization; our EIN is 51-0196154

Donate as you are able and traditional music will reap the benefits.

SCVFA wants musicians to know that we are “not just for fiddlers”. The image to the right side of the Fiddler's Rag name on page 1 includes a mandolin, a banjo, a guitar and a fiddle, to illustrate the diversity of instruments played at our jams and events.

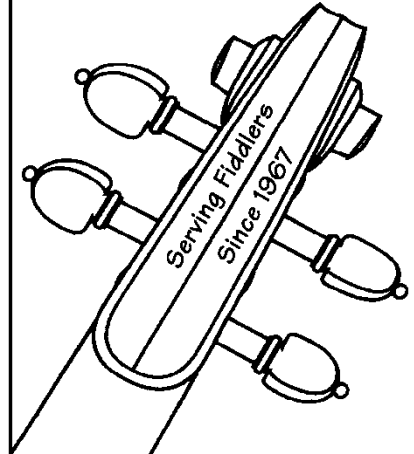


Quote of the Month

“I Know Why the caged Bird Sings”
 title of a 1969 autobiography by Maya Angelou

KAMIMOTO
 STRING INSTRUMENTS

“Fiddles
 for
 Every Style...”



- New & Old Instruments
- Repairs & Restorations
- One-hour bow rehairing (by appt.)
- Rentals: Violin, Viola, Cello, Bass

Hours: Mon-Sat 10:00 - 5:30

[408] 298-8168
www.kamimotostrings.com

609 North Fourth Street
 San Jose, CA 95112

[800] 892-3199

Fax: [408] 298-8198

SCVFA Happenings

SCVFA Zoom Gathering and Jam

August 2nd from **1:00 to 4:00** - Zoom Gathering and Jam. **Slow Jam from 1:00 to 2:00**.

Susan Goodis is organizing an old time jam in a local park during our regularly scheduled SCVFA monthly jam time on Sunday August 2nd from **1:00 - 4:00**. She will also broadcast this jam on Zoom for those who are unable to join us in person for any reason. Please **email Susan for the required advance sign up** at *president [at] fiddlers.org*.

Zoom meeting link:

<https://us02web.zoom.us/j/86453167770?pwd=emgxanJVeWhsMHNzbUZKZDB0V0JkUT09>

Meeting ID: 864 5316 7770 - Passcode: SCVFA

Fiddle Workshop and Jam

NEW Virtual Celebrity fiddle workshop and jam

Sponsored by SCVFA

Sunday August 30th 3:00-4:30

Suzy Thompson is leading



Suzy and Eric Thompson

Fiddle Hell Online Jam

www.facebook.com/groups/fiddlehellmassachusetts

The next fiddlehell.org live streaming will be held on Wednesday, July 29, 5pm ET (2pm for CA), Rob Flax leading (guitar, fiddle, mandolin), for blues and bluegrass.

Old Time Open Jams

Join the Facebook group at

<https://www.facebook.com/groups/390588871395459/>

Check upcoming events on the Calendar.

Monday, Aug. 3rd 8:00-9:30pm EDT: *Mary O's Virtual Sessions (Irish)*. This link will lead you to the sessions:

<https://tune.supply/virtual-session>

Every Tuesday, 10:00-11:30pm: *Andronico's San Francisco Zoom jam*.

<https://us04web.zoom.us/j/725224424?pwd=TkhMQXZzVkVtbFpFZzY1Q3k0T2NGOT09>

Meeting ID: 725 224 424 – Passcode: 1212

Wednesday, Aug. 5th 9:00-10:00pm: *Camp Possum Wednesday Night Northern Sessions*.

<https://youtu.be/BcUGDsMHtHM>

Thursday, Aug. 6th 7:30-8:30pm: *Thursday Night Old Time Jam* hosted by Rachel Eddy and Emily Hammond.

<https://www.youtube.com/watch?v=MNqEZVQ6VWI&feature=youtu.be>

No SCVFA Sponsored Monthly Jam

President Susan Goodis organized an impromptu board discussion on Saturday, July 18th, about the possibility of a jam in August in the Rose Garden. Susan was joined by Beverly Tracey, Cindy Dinga, Jessica Ollmann, Pete Showman, Dinah Showman and Matt Mathis.

Restrictions from the Santa Clara County for gatherings are posted here:

<https://www.sccgov.org/sites/covid19/Pages/mandatory-directives-gatherings.aspx>

The team collectively decided the restrictions and requirements were too much for SCVFA to manage. SCVFA will not sponsor a regular monthly jam on August 2nd.

If anyone has any question about this decision or any other related SCVFA subject, please contact *president [at] fiddlers.org*.

Instead, a live Zoom Gathering Jam will take place online. See page 1 or the top of the left column for detail.

SCVFA Special board meeting – July 22

Motion approved that every current member is given a 9 month extension on their membership (in addition to the initial 3 month extension that started April 1, 2020) for a total of a 1 year extension beyond their original renewal date, and that we also authorize the president to add up to 2 additional extensions in 3 month increments if needed during this COVID-19 pandemic without the necessity of further board meetings.

Discussion followed about new ideas to energize SCVFA.

Motion approved to plan a celebrity workshop and jam, paying \$200 for the **musician** host, and we will run it as a trial program for 3 months, starting by early September at the latest. Suggestions for musicians to lead workshops are welcome.

We will add a slow jam for the first hour of our regular first Sunday jams. The current format would entail a gathering of a limited number of SCVFA members following social distancing guidelines with the jam broadcast via Zoom. The jam can be widely promoted. For the August jam, the time will be from 1:00-4:00, with the first hour used for the slow jam.